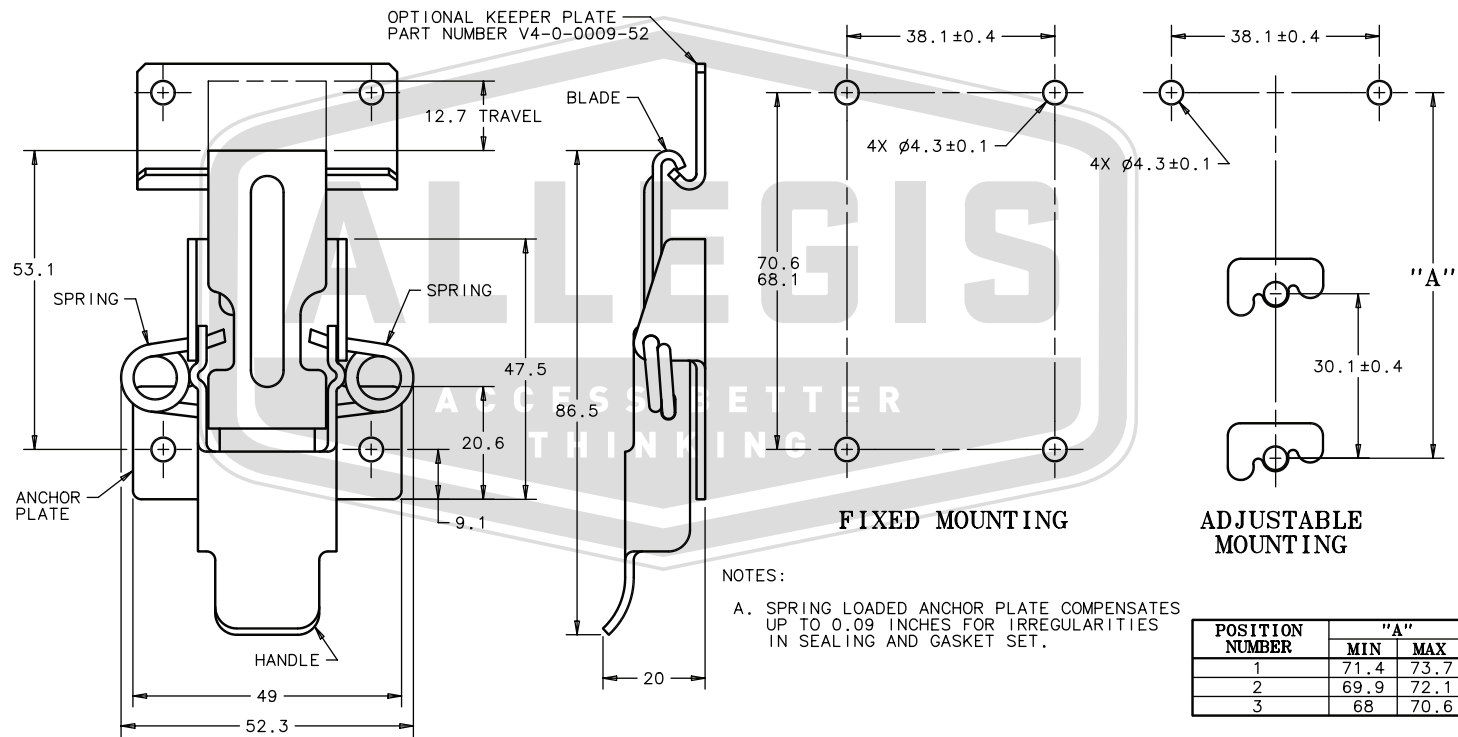


REV	DATE	DRAWN/CHKD	DESCRIPTION	PART NUMBER	ANCHOR PLATE, HANDLE & BLADE MATERIAL & FINISH	SPRING MATERIAL & FINISH
A	17DEC97	RJB	PRN: V4-10	V4-0006-00	1020 STEEL; NATURAL + OIL FILM	300 STAINLESS STEEL; NATURAL
B	12SEP2000	FJB/CHW	PRN: V4-16	V4-0006-02	1020 STEEL; ZINC PLATED, BRIGHT CHROMATE DIP	300 STAINLESS STEEL; BRIGHT BURNISHED
C	17JUN2004	VNI/MDY	PRN: P2004-0649	V4-0006-52	300 SERIES STAINLESS STEEL; NATURAL	300 STAINLESS STEEL; BRIGHT BURNISHED
D	27SEP2005	MDY/RLR	PRN: P2005-1308	V4-0006-80	1020 STEEL; ZINC ALLOY PLATED, BLACK CHROMATE DIP	300 STAINLESS STEEL; BRIGHT BURNISHED
E	07OCT2005	MDY/RLR	PRN: P2005-1310			300 STAINLESS STEEL; BLACK ZINC ALLOY



**ALLEGIS**

1-866-378-7550

MATERIAL:

Steel

DRAWING NO.:

V4-0006-02

FINISH:

Zinc Plate, bright chromate

REV.:

1:1

DATE:

5/30/2019